

3. Air circulation---The vents allow the air circulation liquid for measurement of the CO2 concentration and the ventilation should not be blocked.

SPECIFICATIONS

Method - NDIR

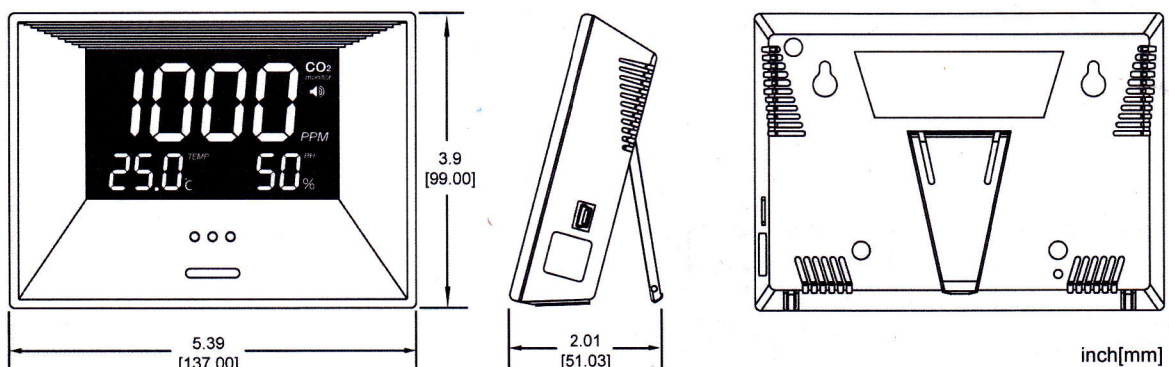
Display - LCD Independent CO2, RH and Temperature readings

Sample Method - Diffusion or flow through (50 ~200 ml/min)

CO2 & Temperature Specification:

CO2 Specification:	
Measurement Range	0-3,000 ppm display
Display Resolution	1ppm at 0~1,000ppm; 5ppm at 1,001~2,000ppm; 10ppm at 2,001~3,000ppm
Accuracy	Under 25°C: ±80 ppm or ±5% of reading (≤2000ppm); ±7% reading (>2000ppm)
Repeatability	±20 ppm @ 400ppm
Temperature Dependence	Typ. ±0.2% of reading per °C or ±2 ppm per °C, whichever is greater, referenced to 25°C
Response Time	About 2min for 63% of step change
Warm-Up Time	2 min. at 22°C
Zone LED Display	Green: <800ppm; Yellow: 800~1200ppm;Red: >1200ppm
Temperature Specification:	
Temperature Range	0°C to 50°C display
Display Resolution	0.1°C
Display Unit	°C
Accuracy	±1°C When the fan blows to the device directly, the accuracy of temperature is + / -1.5 degC
Response Time	20-30 minutes (case must equalize with environment)
RH Specification:	
Measurement Range	20%-90% RH
Display Resolution	1%RH
Accuracy:	±5%RH@23°C
Response time:	<5 min for 63% of step change
Operating Conditions:	
Operating Temperature	0°C to 50°C
Humidity Range	0 ~ 95% RH non-condensing
Storage Conditions:	
Storage Temperature	-20°C to 60°C
Power Supply:	
Power Supply	USB or 5 VDC from external AC/DC adapter which is included in package (Use specified AC adapter only)
DC Output voltage	5 VDC, 1000mA
AC Input voltage & Frequency	100 ~ 240 VAC, 0.2A 50 / 60 Hz

Dimension



Fault Codes & Troubleshooting Guide

This section includes a list of Frequently Asked Questions for problems you may encounter with the device CO2 Monitor.

Fault Icon	Description of the fault	Suggested Actions
「Err3」	The ambient temperature has exceeded the operating temperature range 0°C to 50°C	This error will clear when the temperature returns to the range between 0°C to 50°C
「Err5」 「Err6」	EEPROM System Problem	Please reconnect AC adapter to the device CO2 Monitor. If the "Err5, Err6" still appears, please contact the Service Department for further assistance.

